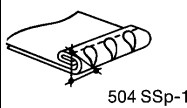


**HIGH SPEED OVEREDGING MACHINE  
 FOR PRODUCING DURABLE TURNED UP SEAMS  
 ON MESH BAGS**



**39500TYA with Sewing Table UH239G130**

Description	Application	Seam Specification	Stitch Range Standard Setting	Sewing Capacity
Single needle three thread overedging machine, cam driven plain feed. Fully automatic lubrication.  Max. Speed: 5000 RPM depending on material and operation.	For seaming and hemming synthetic mesh bags with durable turned up seam of approximately 1/4" in diameter.	 504 SSp-1	4.2 – 6.4 mm (4 – 6 S.P.I.)  5.1 mm (depending on material)	up to 4 mm (5/32 inch)

Subject to change without notice © Union Special GmbH

Union Special GmbH  
 Raiffeisenstraße 3  
 D-71696 Möglingen, Germany  
 Tel.+49 (0)7141/247-0, Fax:+49 (0)7141/247-100  
 www.unionspecial.de

Union Special LLC.  
 One Union Special Plaza  
 Huntley, IL 60142, USA  
 Phone: 847/ 669 4500, Fax: 847/ 669 4239  
 www.unionspecial.com

08-13\_en

**● STURDY ● RELIABLE ● EFFICIENT ● FAST**